

## Description

The AF series are general purpose floodlights ideal for many sports and commercial applications. Available in two sizes and accommodating a large range of lamp wattages in standard metal halide, pulse start metal halide and high pressure sodium lamps. Suitable for new and replacement installations, these lights offer an efficient & reliable alternative to halogen type floodlights, reducing maintenance and energy costs. The body is robust die-cast aluminium and the reflector system is a combination of peened and specular high grade aluminium.

## Applications

- Car Park
- Tennis courts & other sports areas
- Car Yards
- Area Lighting
- Signage
- Facades
- Security
- Horse Arenas
- Public Areas

## Features

- Body is formed from die cast aluminium
- High grade aluminium reflector
- Integral control gear
- High Pressure Sodium, Standard Metal Halide and Pulse Start Metal Halide lamp types
- Available in 70w, 150w, 250w, 320w & 400w
- 2 casement sizes
- Degree of protection - IP65
- 5mm toughened glass

## Pulse Start Lamps

The AF Series of floodlights are available with the following lamp types:

- Standard Metal Halide - 70w, 150w, 250w, 400w
- Pulse Start Metal Halide - 250w, 320w
- High Pressure Sodium - 70w, 150w, 250w, 400w

**Pulse Start (PS) Metal Halide (MH) lamps are new generation lamps that have significant advantages over traditional Standard Metal Halide lamps.**

- Longer lamp life that maintains higher output (better lumen maintenance). This reduces the frequency that lamps need to be replaced, greatly reducing maintenance costs.
- The higher maintained light output of pulse start MH lamps, in some cases allows a lower wattage lamp to be used to achieve the same, or better performance than traditional Standard MH.



## Mounting

### Trunnion Arm Mounting

The AF series floodlights have a trunnion arm mounting for various bolt-on applications. These are adjustable and bolt directly to the optional post top brackets. Please see drawing on page 2 for dimensions

### Post Top Adapters

Our purpose designed post top adaptors are an ideal accessory for ease of installation to a post top. Designed to slip over the post top, and secure to the pole and trunion arm with provided fixings.

**Available in single mount or double back to back mount to suit the following sizes:**

- 60mm, 76mm & 89mm O.D round post top
- 75mm & 100mm O.D square post top

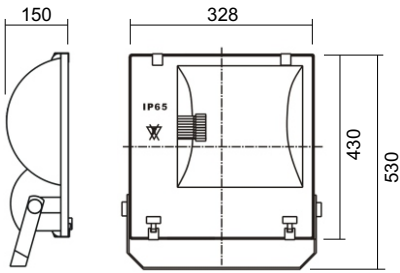


AF Series Single Post Top Adapter

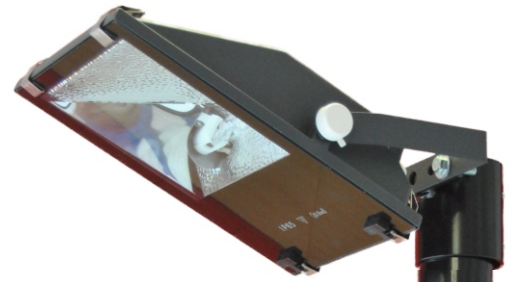
# Dimensions



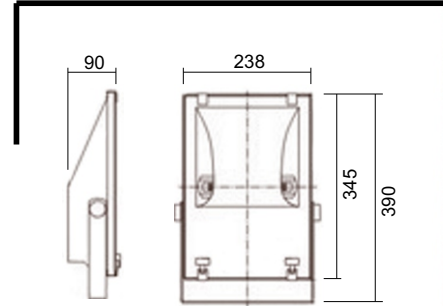
**AF 2 - 250w, 320w & 400w**



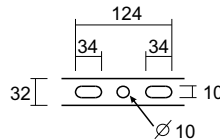
Dimensions in millimetres



**AF 1 - 70w & 150w**



**Trunnion Arm / Fixing holes**



## Technical & Ordering Data

Product Code	Wattage	Lamp Type	Line Volts	Starting Current	Running Current	Mass kg	Sail Area sq. Mts
AF1-70MH240	70	Standard Metal Halide	240	0.44	0.38	4.5	0.08
AF1-150MH240	150	Standard Metal Halide	240	0.90	0.78	5.5	0.08
AF2-250MH240	250	Standard Metal Halide	240	1.43	1.25	10.5	0.14
AF2-400MH240	400	Standard Metal Halide	240	2.30	2.00	10.5	0.14
AF2-250PS-MH240	250	Pulse Start Metal Halide	240	2.43	1.25	10.5	0.14
AF2-320PS-MH240	320	Pulse Start Metal Halide	240	1.90	1.60	10.5	0.14
AF1-70HPS240	70	High Pressure Sodium	240	0.44	0.38	4.5	0.08
AF1-150HPS240	150	High Pressure Sodium	240	0.90	0.78	5.5	0.08
AF2-250HPS240	250	High Pressure Sodium	240	1.43	1.25	10.5	0.14
AF2-400HPS240	400	High Pressure Sodium	240	2.30	2.00	10.5	0.14

### Post Top Adapters

Product Code	Type	Pole Top Size
PA-AF-S-R60	Single	60mm O.D Round
PA-AF-S-R76	Single	76mm O.D Round
PA-AF-S-R90	Single	90mm O.D Round
PA-AF-S-SQ75	Single	75mm O.D Square
PA-AF-S-SQ100	Single	100mm O.D Square
PA-AF-D-R60	Double (back to back)	60mm O.D Round
PA-AF-D-R76	Double (back to back)	76mm O.D Round
PA-AF-D-R90	Double (back to back)	90mm O.D Round
PA-AF-D-SQ75	Double (back to back)	75mm O.D Square
PA-AF-D-SQ100	Double (back to back)	100mm O.D Square

## Warranty

### 1 year

1 year warranty applies to the lamp, control gear set (ballast, capacitor and ignitor), body/metalware, reflector system, electrical components and glass lense. Please contact ELA for full warranty details.

For technical support and contact details for your local distributor please contact us



**Environmental Lighting Australia Pty Ltd**

**P:** 03 5952 5587 **F:** 03 5952 3558

**E:** enquiries@tennislights.com **W:** www.tennislights.com